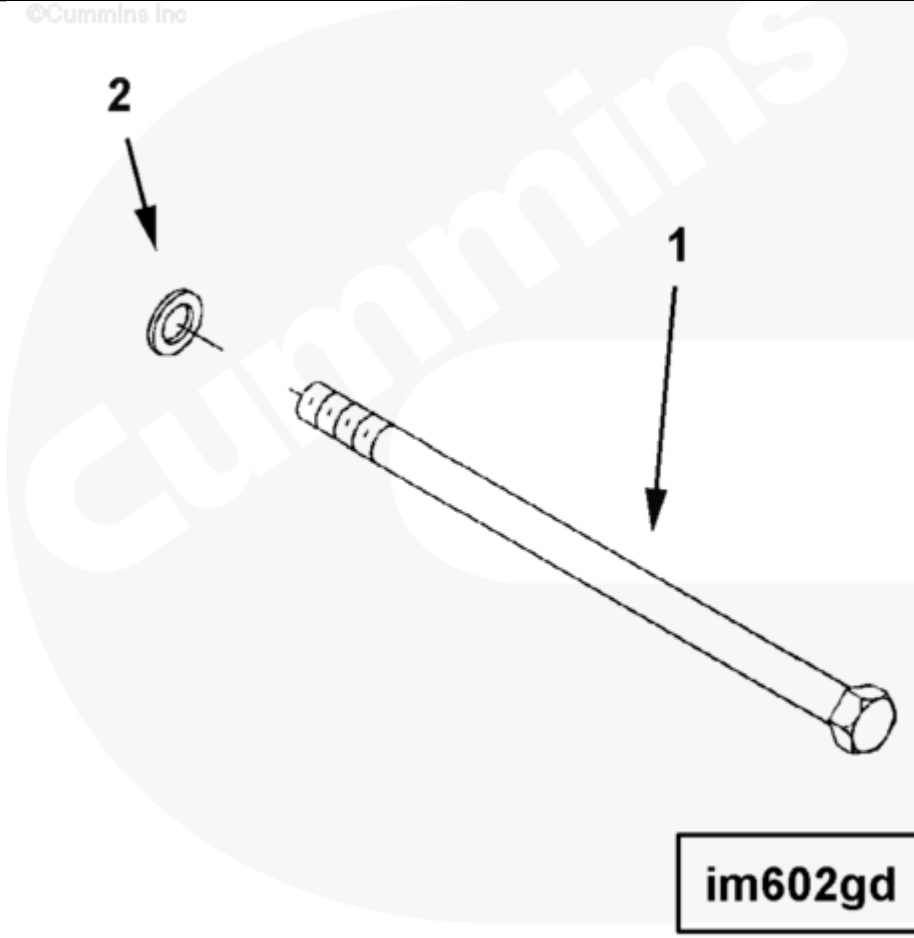




Parts Catalog - Option Detail

Electronic Parts Catalog - Option Detail				
Option	Group	Graphic	Film Card	Date
IM6726-03	10.01	im602gd	K38	17-MAY-03
Engines	GTA38, K38, KTA38GC CM558, QSK38 CM2150 K106, QSK38 CM2150 MCRS, QSK38 CM850 MCRS			



[SMALL](#) | [MEDIUM](#) | [LARGE](#)

Cart	Ref No	Part Number	Part Description	Required	Remarks
View My Cart					
		IM6726-03	Intake Manifold Mounting		Contains intake manifold...(More)
					hardware.
					For use when fuel filter
					block is mounted to fuel

					pump.
					For use with automotive (flat
					top) fuel pumps for LTA
					engines only.
<input type="checkbox"/>	1	S 106 C	Hexagon Head Cap Screw	2	3/8 - 16 X 4 3/4 in.
<input type="checkbox"/>	2	3036460	Spring Washer	2	

© 2019 Cummins Inc., Box 3005, Columbus, IN 47202-3005 U.S.A.
Terms of Use and Disclaimers | Recommended System Requirements
Need Assistance? Please click on the Contact Us button in the top right corner of any page.